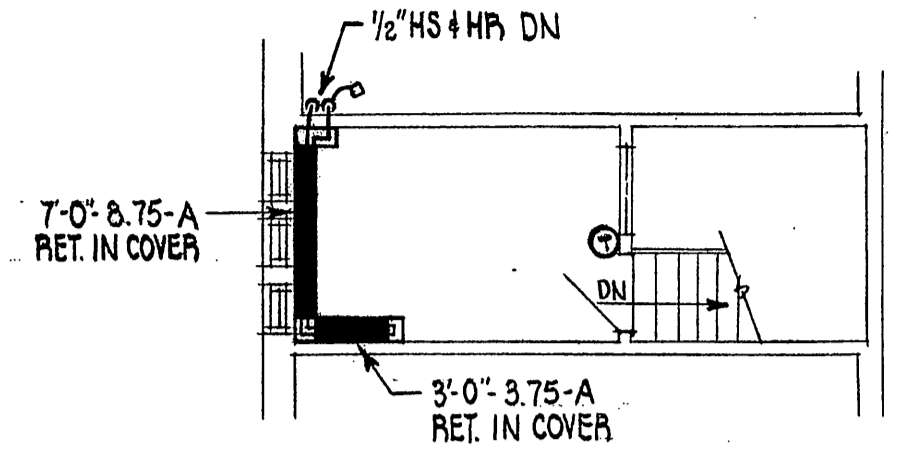
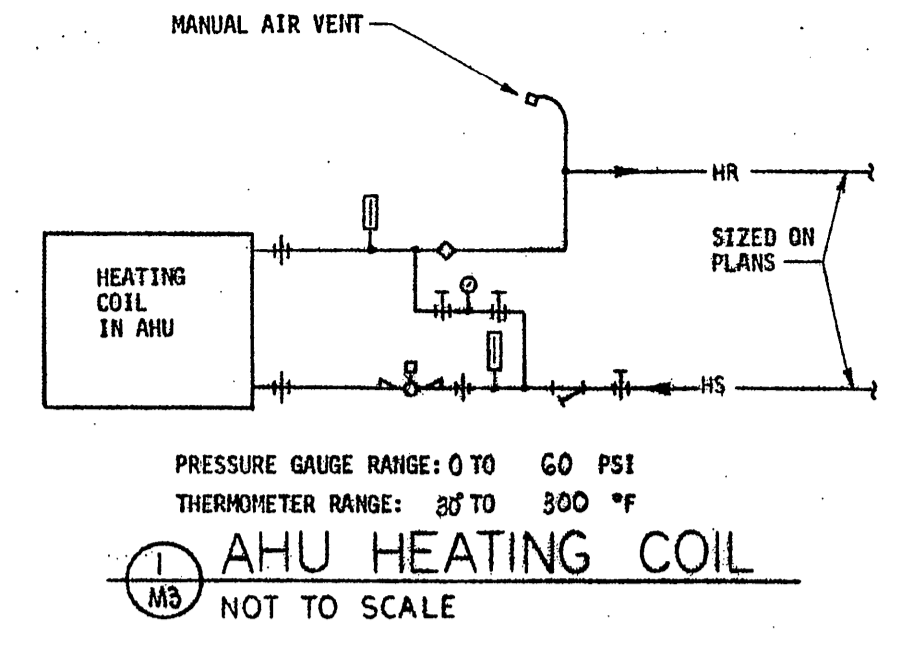
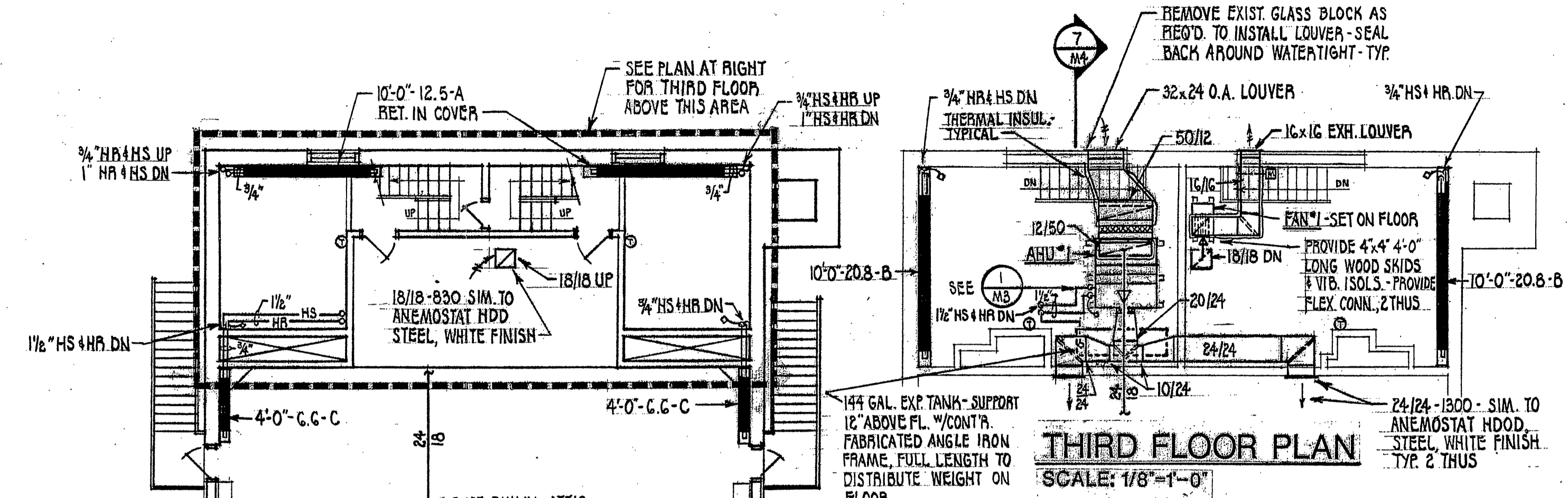


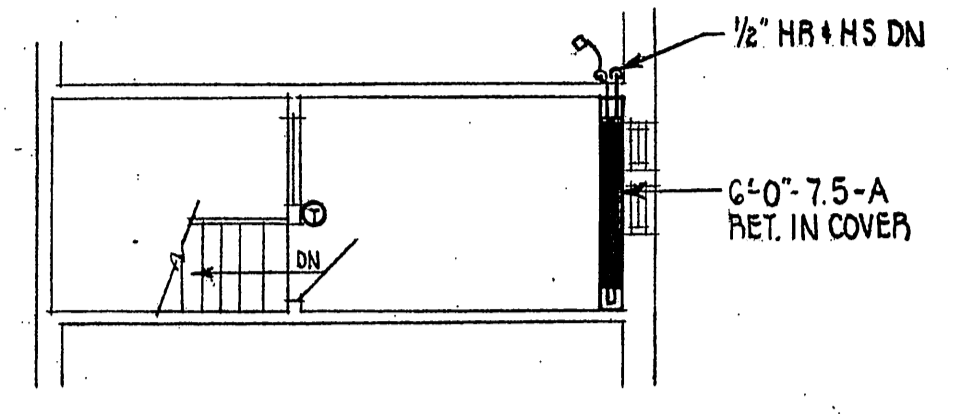
I hereby certify that this plan, specification, or report was prepared by me or under my direct supervision and that I am a duly Licensed Professional Engineer under the laws of the State of Minnesota.
 Date: 1-19-88 Reg. No. 59027



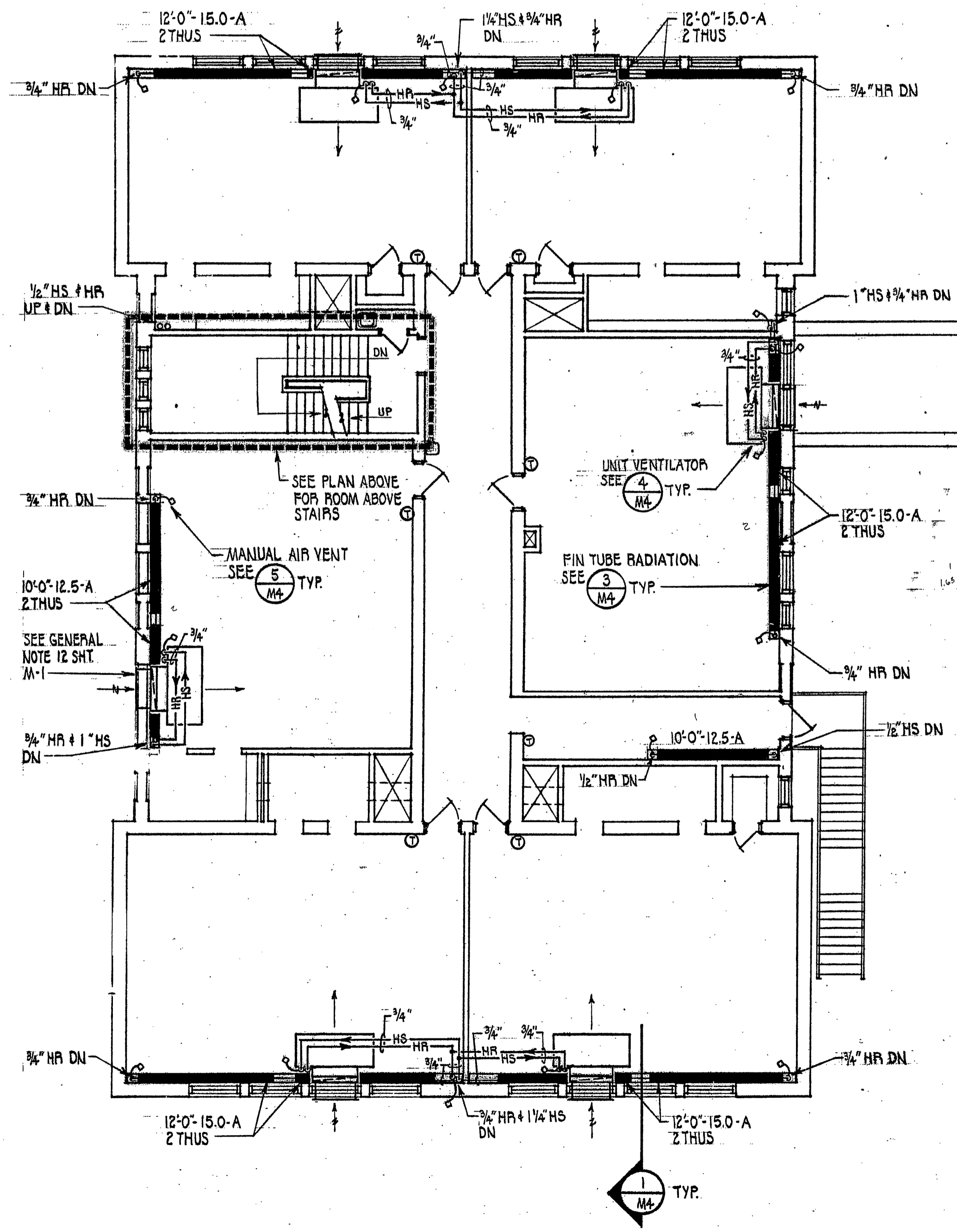
ROOM ABOVE STAIR
 SCALE: 1/8"=1'-0"



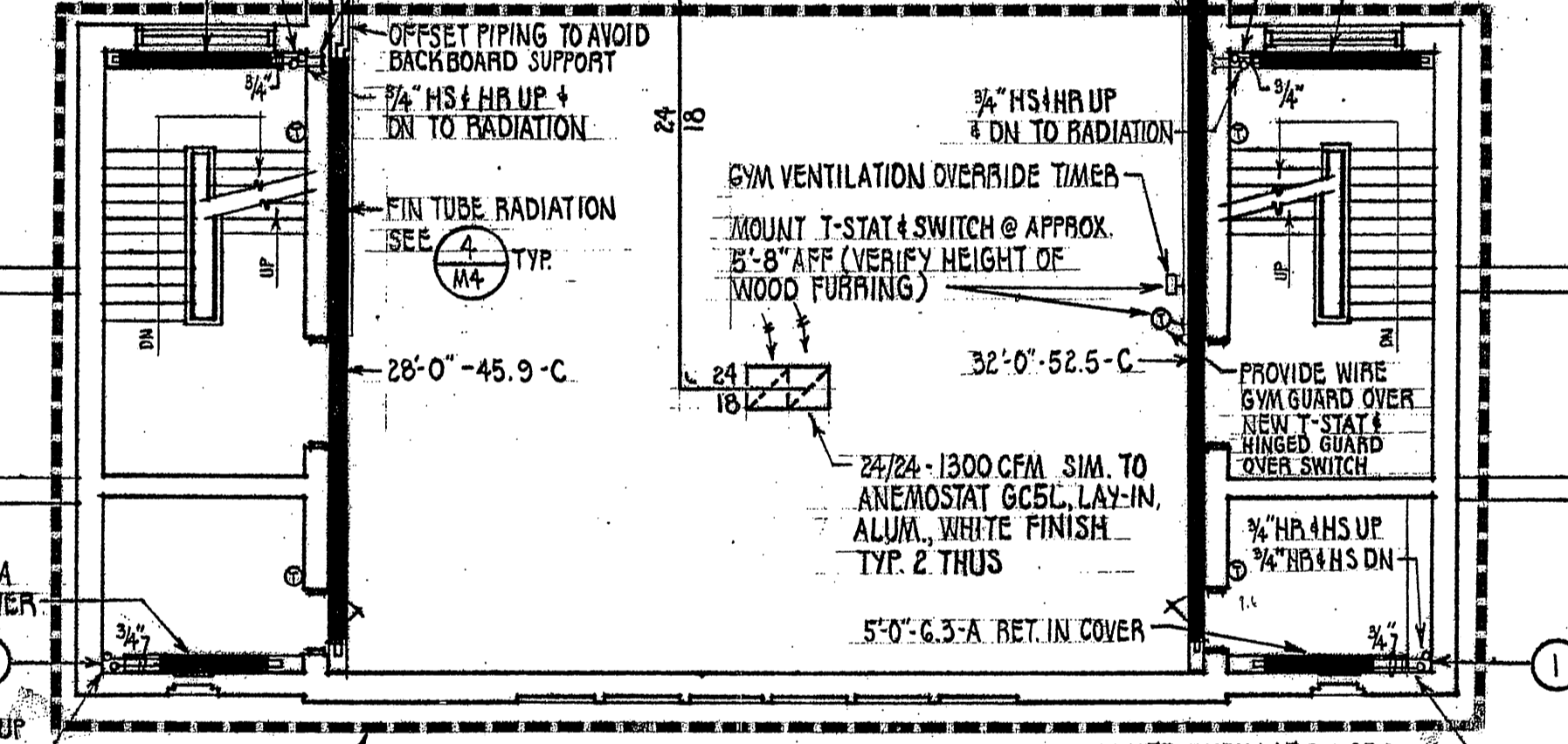
THIRD FLOOR PLAN
 SCALE: 1/8"=1'-0"



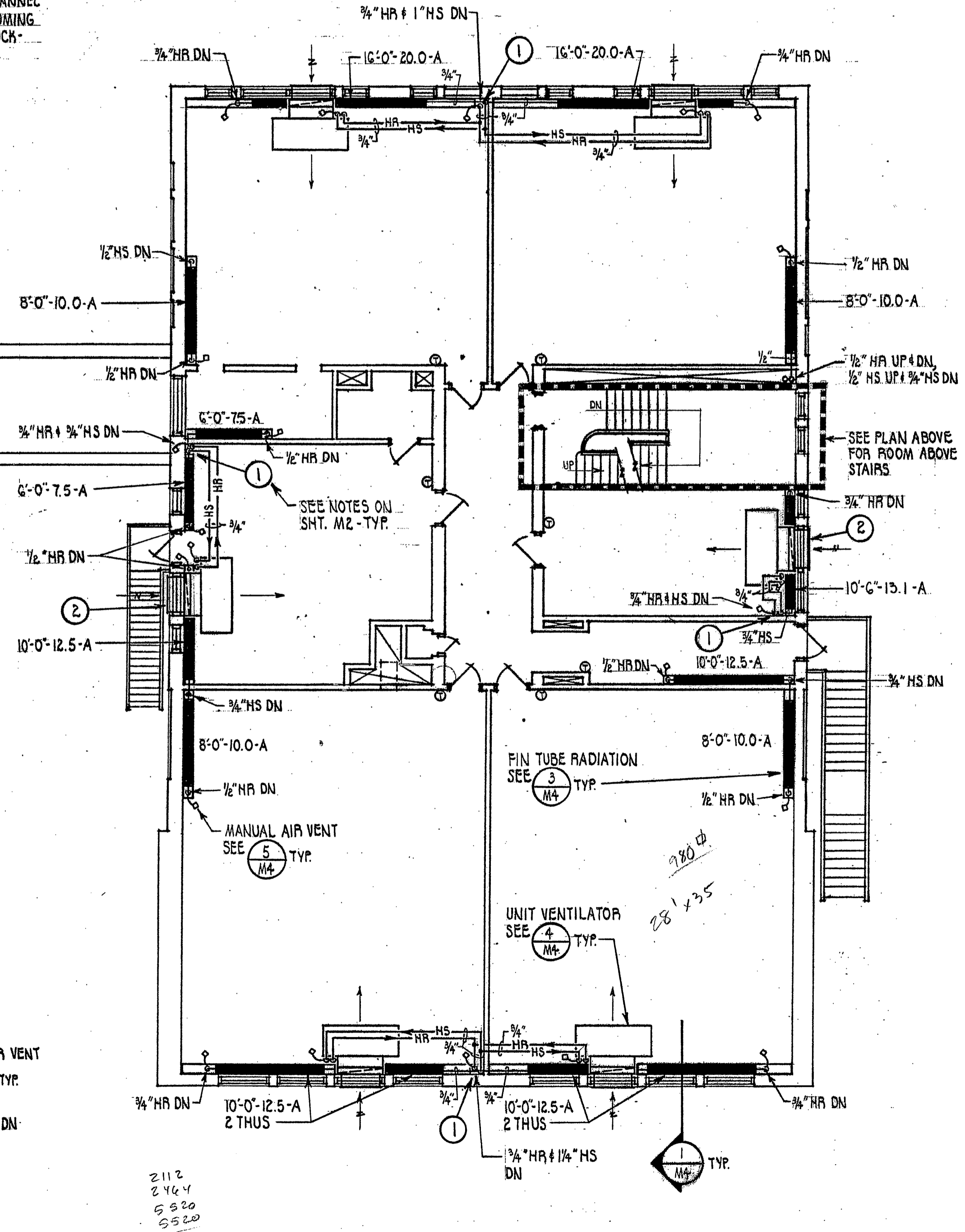
ROOM ABOVE STAIR
 SCALE: 1/8"=1'-0"



SECOND FLOOR PLAN
 SCALE: 1/8"=1'-0"



THIRD FLOOR PLAN
 SCALE: 1/8"=1'-0"



2112
 2464
 5920
 5520
 1564

NOTE: WORK INVOLVED IN PHASE 3 CONSTRUCTION IS LIMITED TO AREA SHOWN WITHIN CLOUD UNLESS INDICATED OTHERWISE IN SPECIFICATION OR NOTES

KASSON ELEMENTARY SCHOOL
 HEATING RENOVATION PHASE 3
 KASSON, MINNESOTA

Date:	1-19-88
Job no.:	2973 G
Drawn:	MJS
Checked:	RMJ, DGR

TSP
 M3